

V2 SERIES - INTERIOR DIMENSIONS

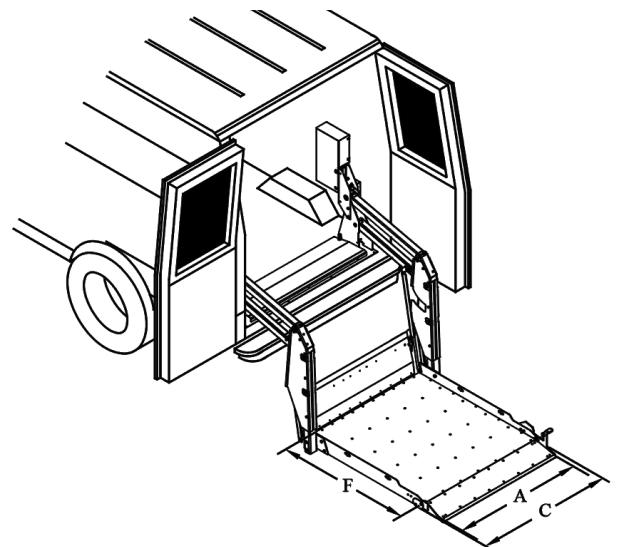


CARGO VAN



| | A | B | C | D | E | F | H | I | J |
|------------------------------|--------------------|--------------------------------|------------------------|--------------------|---|------------------------|---|------------------------------------|-------------------------------|
| | Flat Loading Width | Clear Opening Between Uprights | Overall Platform Width | Overall Gate Width | Height of Extended Retention Ramp Above Van Floor | Platform Loading Depth | Height of Shipping Bar Above Van Floor*** | Height of Platform Above Van Floor | Closed Van Door to Base Plate |
| V2-56-1140 FA49 (AA)* | 47-1/2 | 49-3/16 | 48-1/2 | 57-1/2 | 61-1/4 | 49 | 58-5/16 | 54-1/8 | 5-1/8 |
| V2-56-1140 FA34 (AA)* | 47-1/2 | 49-3/16 | 48-1/2 | 57-1/2 | 46-3/8 | 34 | 45 | 39-1/8 | 5-1/8 |
| V2-56-1140 FA49 (AB) | 47-1/2 | 49-3/16 | 48-1/2 | 57-1/2 | 61-1/4 | 49 | 58-5/16 | 54-1/8 | n/a** |
| V2-56-1140 FA34 (AB) | 47-1/2 | 49-3/16 | 48-1/2 | 57-1/2 | 46-3/8 | 34 | 45 | 39-1/8 | n/a** |
| V2-56-1140 FA49 (AC) | 47-1/2 | 49-3/16 | 48-1/2 | 57-1/2 | 61-1/4 | 49 | 58-5/16 | 54-1/8 | 5-1/8 |
| V2-56-1140 FA34 (AC) | 47-1/2 | 49-3/16 | 48-1/2 | 57-1/2 | 46-3/8 | 34 | 45 | 39-1/8 | 5-1/8 |
| V2-56-1140 FA34 (AD) | 47-1/2 | 49-3/16 | 48-1/2 | 57-1/2 | 46-3/8 | 34 | 45 | 39-1/8 | n/a** |
| V2-56-1140 FA49 (AE) | 47-1/2 | 49-3/16 | 48-1/2 | 57-1/2 | 61-1/4 | 49 | 58-5/16 | 54-1/8 | n/a** |
| V2-56-1140 FA34 (AE) | 47-1/2 | 49-3/16 | 48-1/2 | 57-1/2 | 46-3/8 | 34 | 45 | 39-1/8 | n/a** |
| V2-56-1140 FA49 (AF) | 47-1/2 | 49-3/16 | 48-1/2 | 57-1/2 | 61-1/4 | 49 | 58-5/16 | 54-1/8 | 9-3/4 |
| V2-56-1140 FA34 (AF) | 47-1/2 | 49-3/16 | 48-1/2 | 57-1/2 | 46-3/8 | 34 | 45 | 39-1/8 | 9-3/4 |
| V2-56-1140 FA49 (AG) | 47-1/2 | 49-3/16 | 48-1/2 | 57-1/2 | 61-1/4 | 49 | 58-5/16 | 54-1/8 | 6 |
| V2-56-1140 FA34 (AG) | 47-1/2 | 49-3/16 | 48-1/2 | 57-1/2 | 46-3/8 | 34 | 45 | 39-1/8 | 6 |
| V2-56-1140 FA49 (AH) | 47-1/2 | 49-3/16 | 48-1/2 | 57-1/2 | 61-1/4 | 49 | 58-5/16 | 54-1/8 | n/a** |
| V2-56-1140 FA34 (AH) | 47-1/2 | 49-3/16 | 48-1/2 | 57-1/2 | 46-3/8 | 34 | 45 | 39-1/8 | n/a** |

* AA mounting kit available for 2500 Extended Body ONLY.
 ** Dimension not available at time of publication.
 *** Dimension gives overall height for installation of FA49 platforms ONLY



V2 SERIES - INTERIOR DIMENSIONS

