

# MAX RACK 2.0


## OPERATOR'S MANUAL

THE PERFECT FIT  
FOR YOUR  
TOUGHEST JOBS

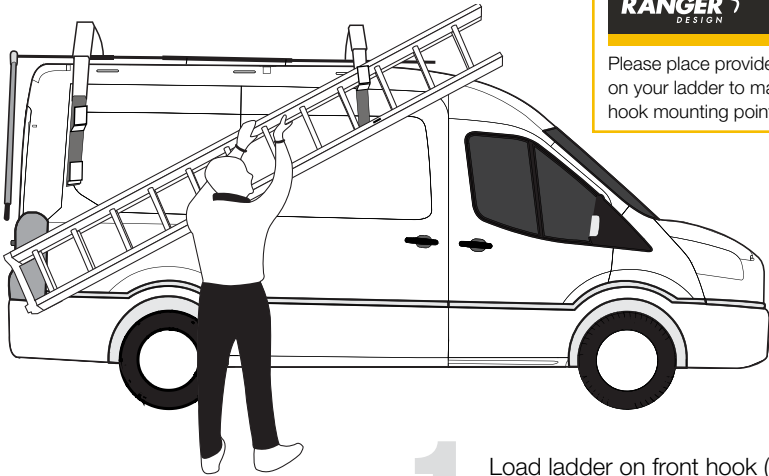
**RANGER**<sup>TM</sup>  
DESIGN

# MAX RACK 2.0

## LOADING INSTRUCTIONS

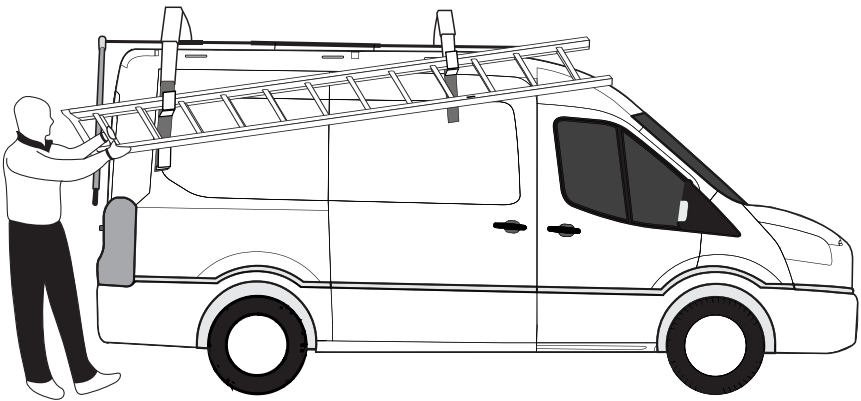


Please place provided label on your ladder to mark the hook mounting point.



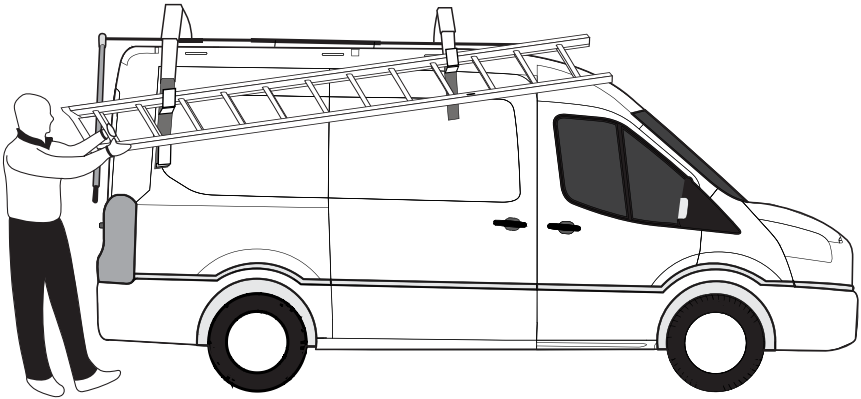
1

Load ladder on front hook (Sticker can be applied for easy reference).



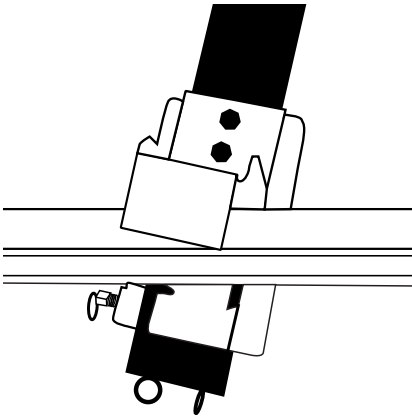
2

Lift the ladder from the rear and push the ladder forward.



3

Rotate the ladder over the rear hook and settle it into the anti-theft.



4

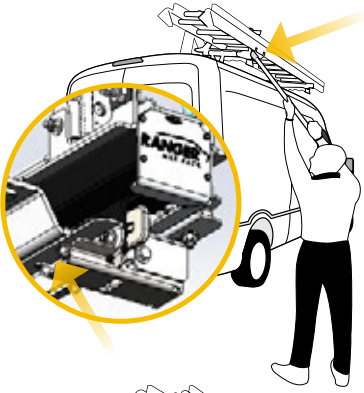
Ensure the anti-theft pin is engaged and locks your ladder.

**THE LADDER LOCK  
MUST LINE UP  
IN THE MIDDLE OF  
TWO RUNGS WHEN  
LOADING THE LADDER**

# MAX RACK 2.0

## OPERATING INSTRUCTIONS

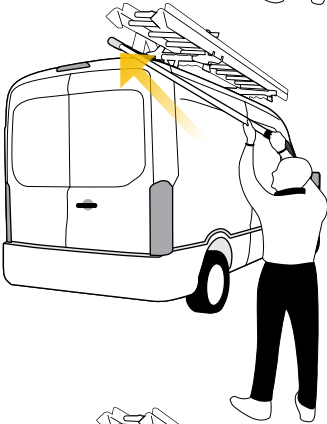
### LOWER LADDER



# 1

#### STEP ONE

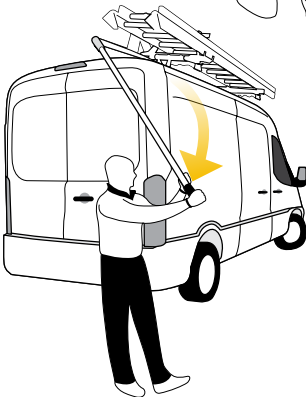
Release positive lock before operating the rack.



# 2

#### STEP TWO

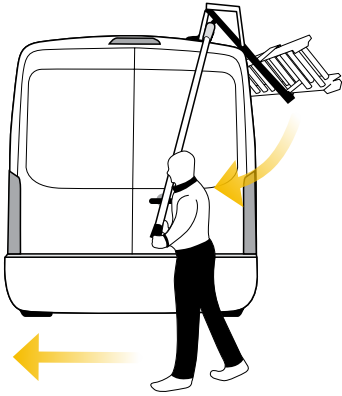
With both hands, insert the handle into the Max Rack and turn to secure.



# 3

#### STEP THREE

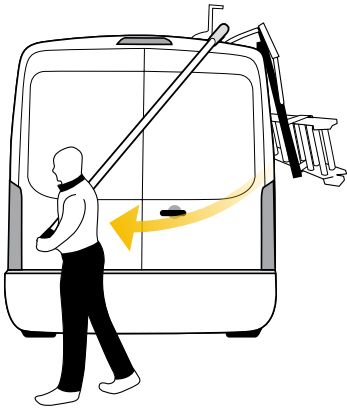
Pull the handle down towards you.



# 4

## STEP FOUR

Turn around. Push the handle forward.

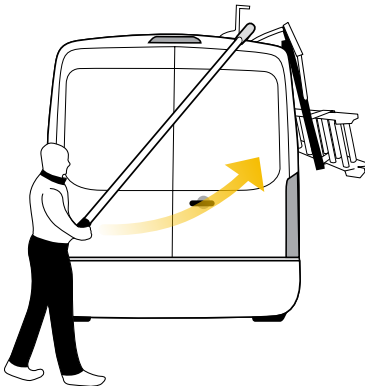


# 5

## STEP FIVE

Continue to push the handle until the Max Rack has finished its descent. Do not let go of handle until ladder has fully descended.

## RAISE LADDER



# 1

## STEP ONE

Push the handle, don't pull it.

# MAX RACK 2.0

## MAINTENANCE SCHEDULE

---

### WEEKLY



# 1

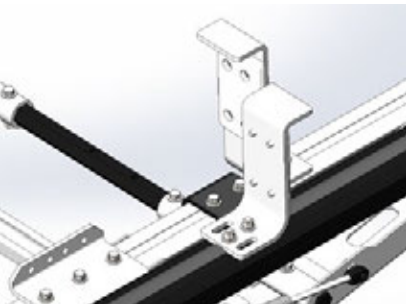
#### **INSPECT CYLINDERS FOR OIL OR DIRT ON PISTON.**

Wipe the cylinders with a paper to verify for leaks. If there is a leak, your cylinder is failing. Plan for a replacement.

# 2

#### **OPERATE RACK TO HALF-POINT POSITION.**

Push ladder and mechanism back onto roof and check for loose or rattling parts.

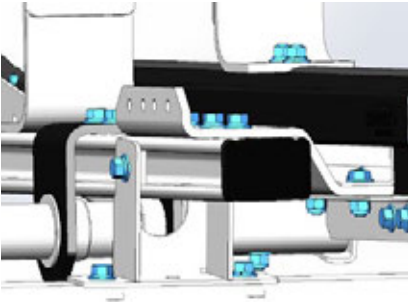


# 3

#### **INSPECT INTERLOCKING HOOKS TO ENSURE THEY ARE TIGHT AND DO NOT RATTLE.**

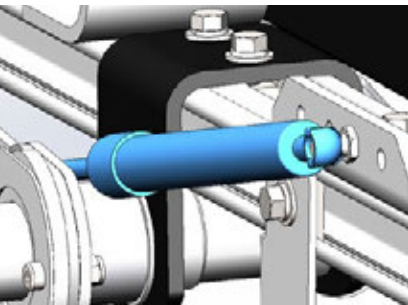
**Disclaimer** Carrying ladders on your roof can be dangerous. While minimizing the risks is Ranger Design's top priority, ladder rack safety is ultimately the user's responsibility. Regular maintenance can also help prevent accidents and extend the life of your rack and ladders.

## MONTHLY



1

**INSPECT BOLTS AND NUTS ON THE SHAFT AND FRAME. TIGHTEN IF LOOSE.**



2

**INSPECT CYLINDERS, FOUND ON THE FRONT AND REAR MECHANISMS.**

Check for leaks and tighten nuts if loose.

3

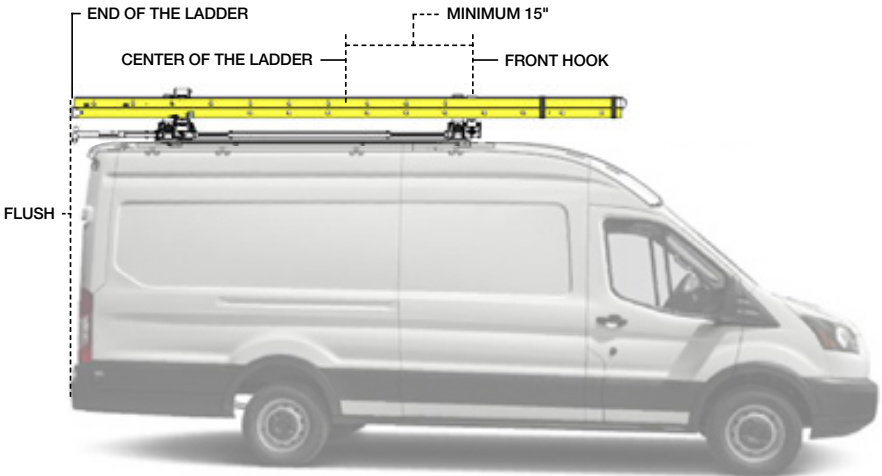
**INSPECT ELBOW FOR ANY CRACK OR BENDING OF THE PIN KEY AND ENSURE THE SLEEVE RESTS OVER THE PIN KEY.**

# MAX RACK 2.0

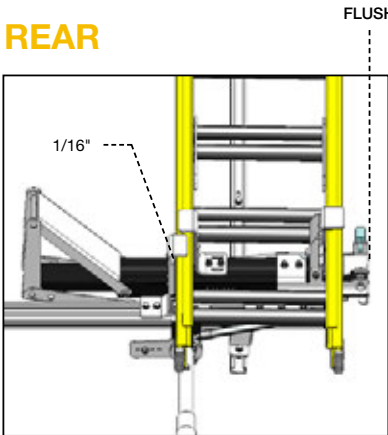
## LADDER INSTALLATION

### YOU MUST ENSURE:

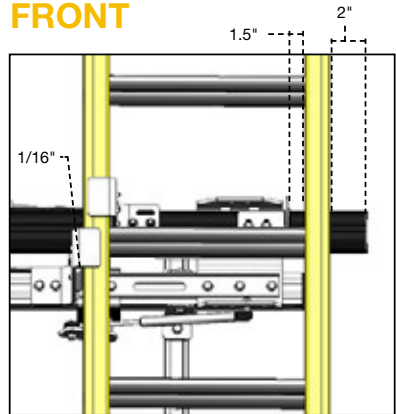
- > The arm socket and the ladder do not extend beyond the rear bumper of the vehicle.
- > The center of the ladder must be minimum 15" behind the front hook when the ladder is loaded.



### REAR



### FRONT





# MAX RACK

## CAPACITY

---



STEP LADDERS  
**8', 10' AND 12'**

Fit all Max Racks



The Max Rack can carry extension ladders up to 32' long.

The weight capacity per single Max Rack is 100lbs.



# MAX RACK 2.0

## MAXIMUM LADDER LENGTH

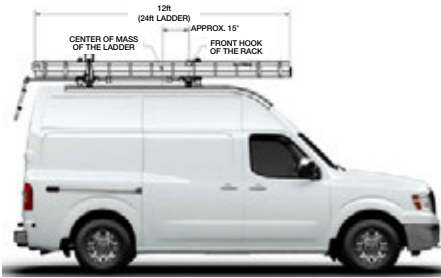


VEHICLE MODEL  
(RACK MODEL SHOWN)

MAXIMUM  
LADDER LENGTH

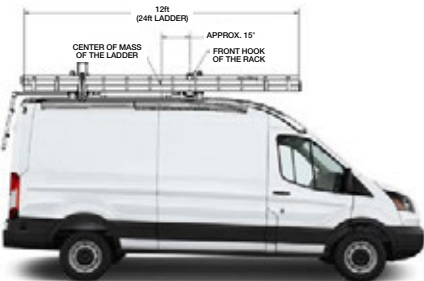
MERCEDES  
**SPRINTER**  
(1870-DH)

**32ft**



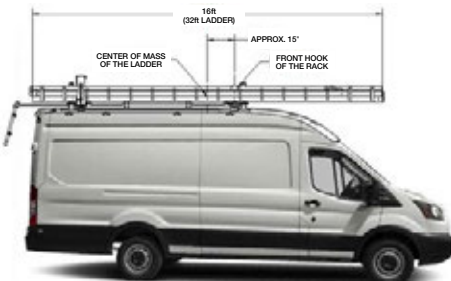
NISSAN  
**NV**  
(1870-NH)

**24ft**



FORD  
**TRANSIT**  
REGULAR WHEELBASE  
(1870-FTR)

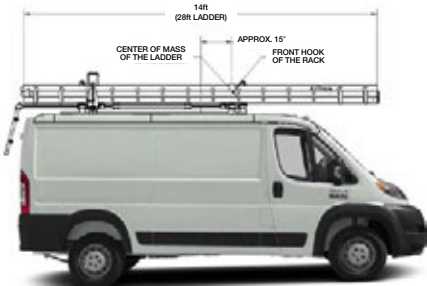
**24ft**



FORD  
**TRANSIT**  
LONG/EXTENDED  
WHEELBASE  
(1870-FTL)

**32ft**

**1880 FOR A DOUBLE SIDED MAX RACK 2.0**

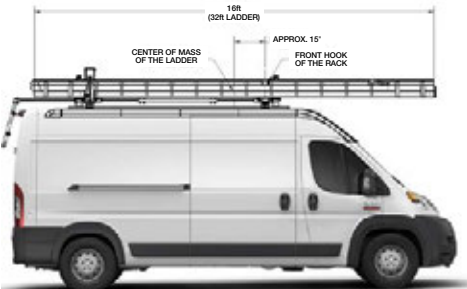


**VEHICLE MODEL  
(RACK MODEL SHOWN)**

**MAXIMUM  
LADDER LENGTH**

**RAM  
PROMASTER**  
118" WHEELBASE  
(1870-PHS)

**28ft**



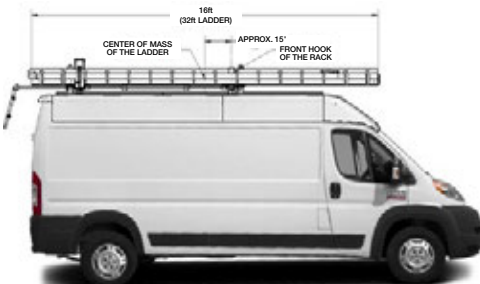
**RAM  
PROMASTER**  
136" WHEELBASE  
(1870-PHM)

**32ft**



**RAM  
PROMASTER**  
159" WHEELBASE  
(1870-PHL)

**32ft**



**RAM  
PROMASTER**  
159" EXTENDED WHEELBASE  
(1870-PHX)

**32ft**



**CONTACT US**

[cs@rangerdesign.com](mailto:cs@rangerdesign.com)

1-800-565-5321

[rangerdesign.com](http://rangerdesign.com)



**RANGER**<sup>TM</sup>  
DESIGN

M221-111