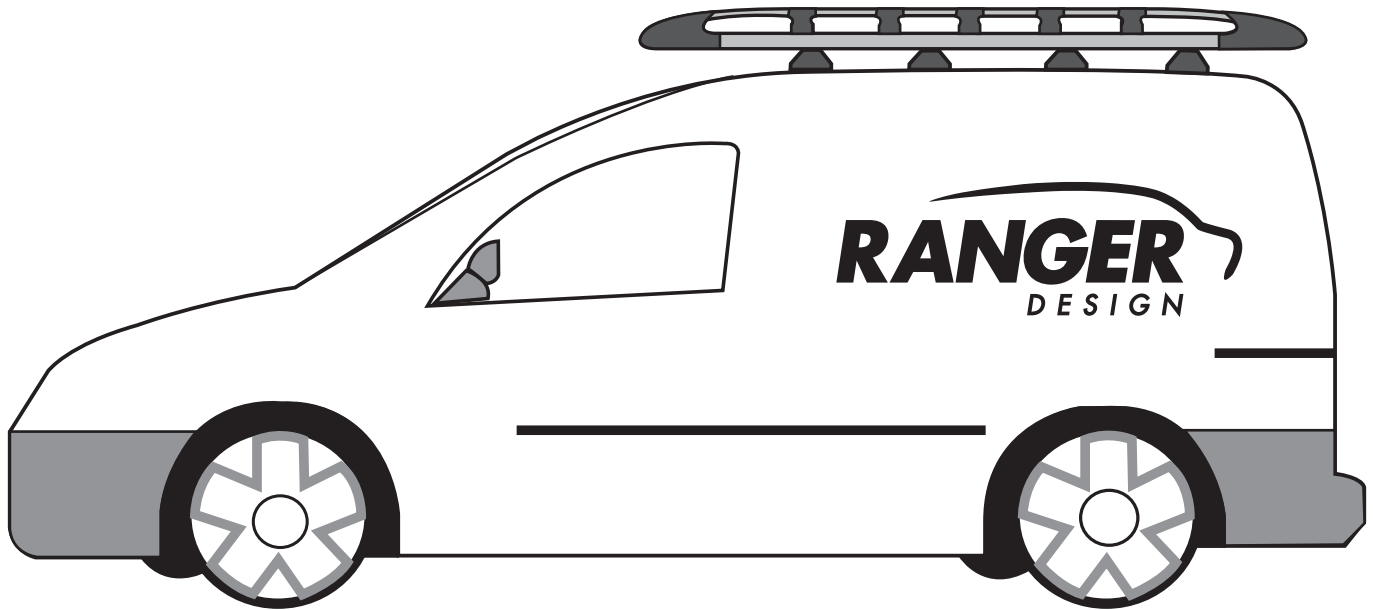


INSTALLATION GUIDE



1506-PHL Cargo Plus

RAM Promaster 159" Wheelbase

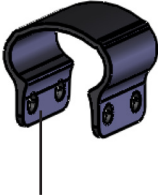


PHASE 1 – ASSEMBLY

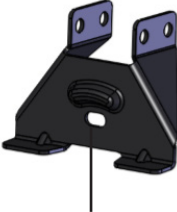
1.1 SETUP

1.1.2 Verify all parts are present.

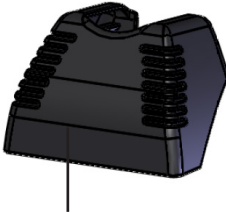
15-U4009 BOX



SADDLE EXTRUSION x8



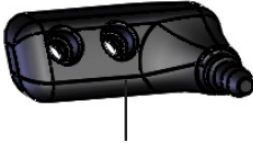
FOOT x8



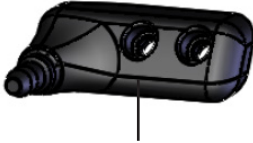
FOOT COWL x8



RUBBER SPACER x8



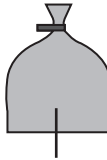
ROLLER SUPPORT "R" x1



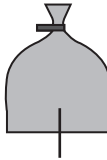
ROLLER SUPPORT "L" x1



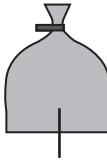
FOOT CLAMP x8



CFK - 1 x1

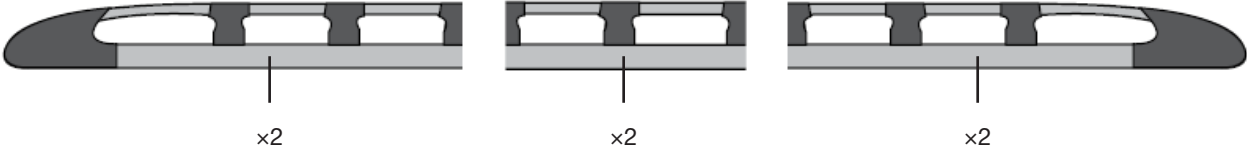


CFK - 2 x1



CFK - 3 x1

15-U1003 BOX



x2

x2

x2

15-U3002 BOX



BAR x3



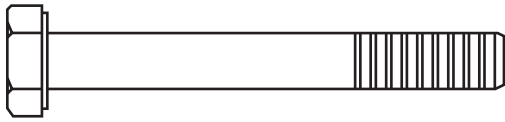
ROLLER x1

15-U2002 BOX



BAR x6

HARDWARE



(M8 x 65) x16



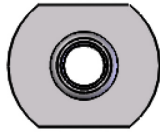
(M8 x 40) x8



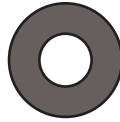
(M8) x32



(M8) x28



(M8) x22



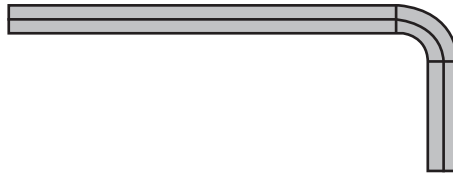
(M8) x32



(M8) x16

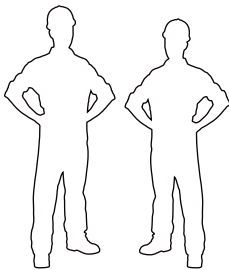


(M8) x8

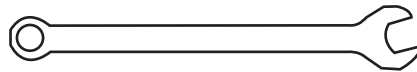


(M8) x1

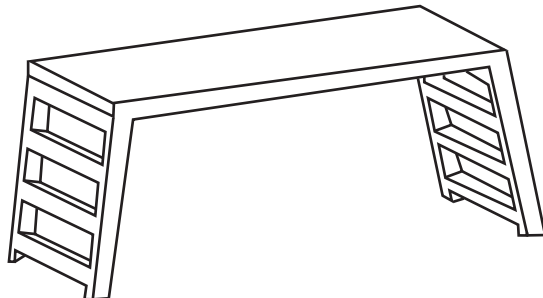
REQUIRED ITEMS



2
PERSONS



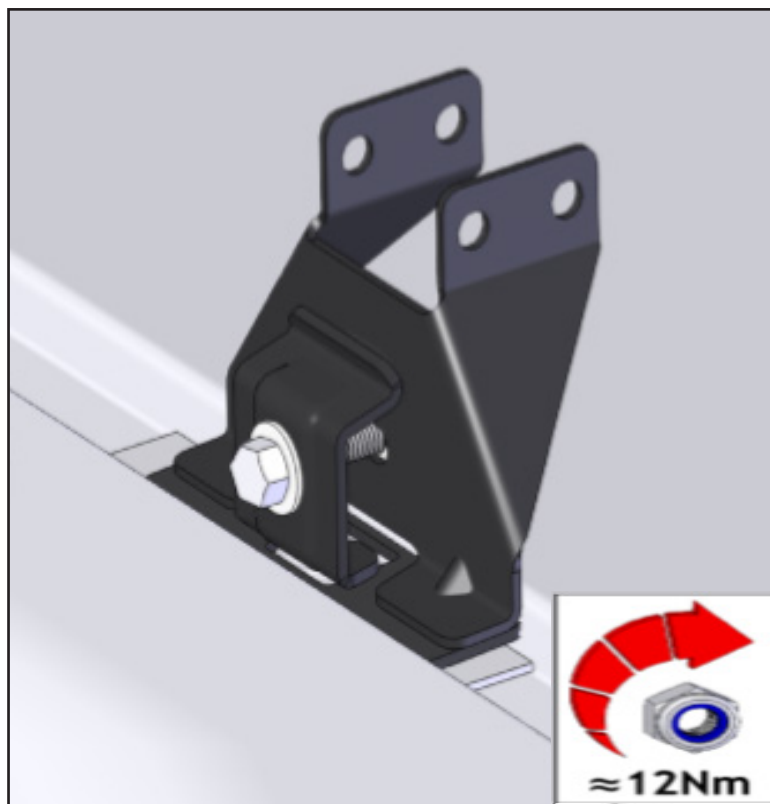
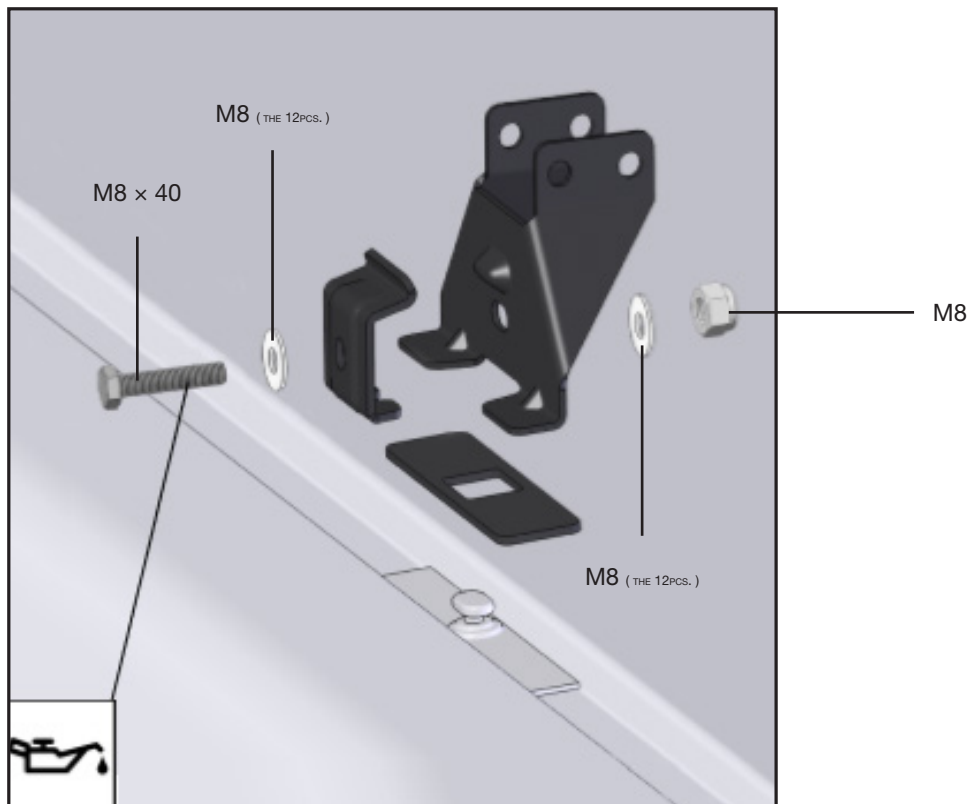
13mm x2



PHASE 2 – INSTALLATION

2.1 INSTALLATION

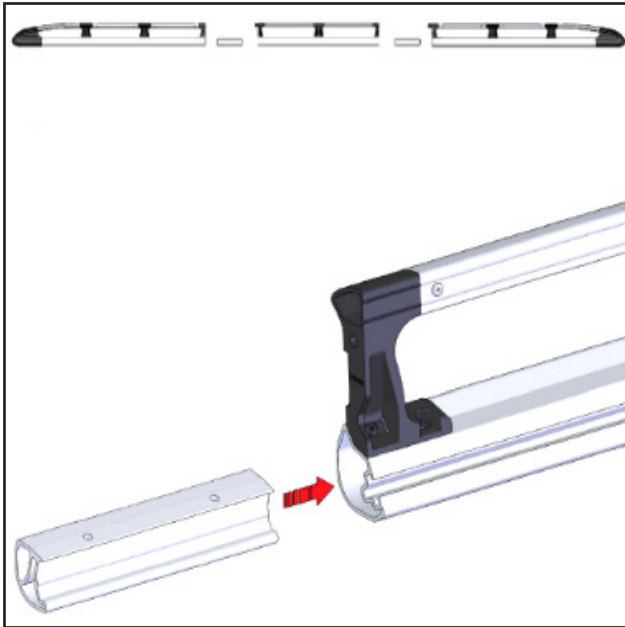
2.1.1 Install the feet.



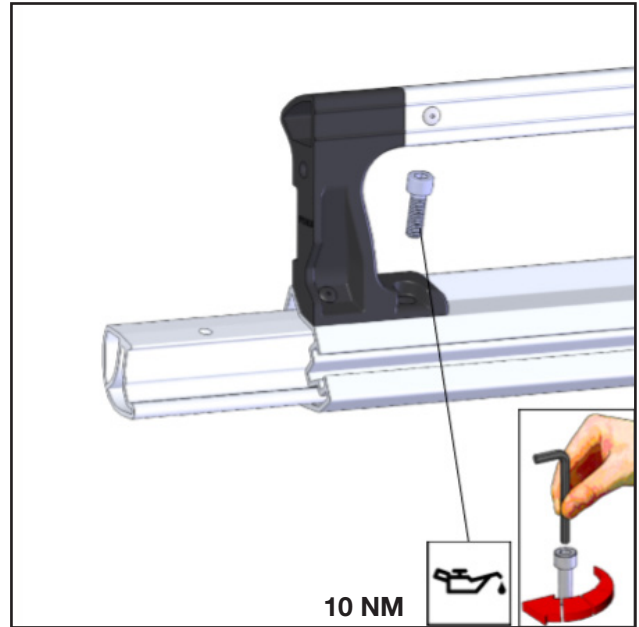
2.1.2 Connect the 3 side rails parts.

2x

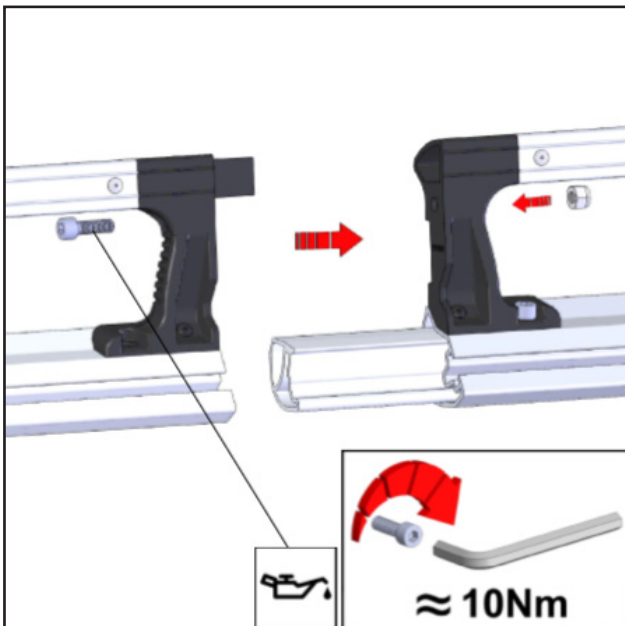
STEP 1



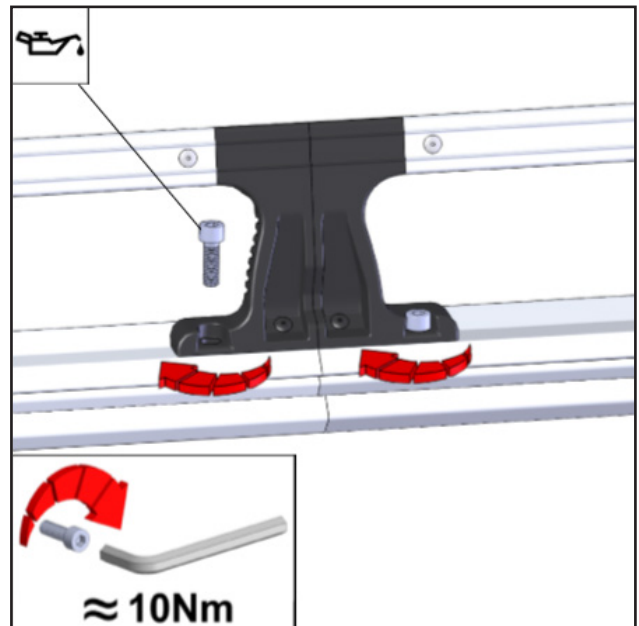
STEP 2



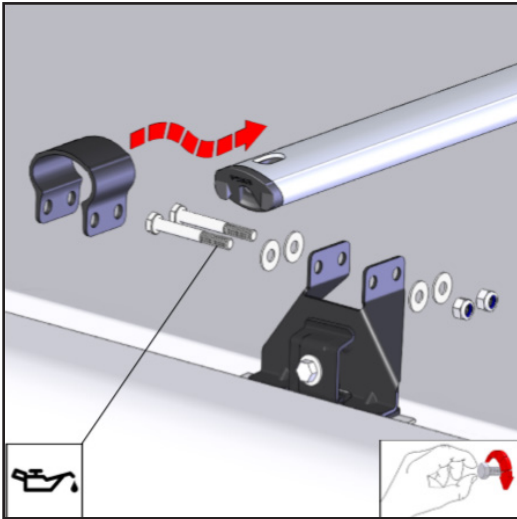
STEP 3



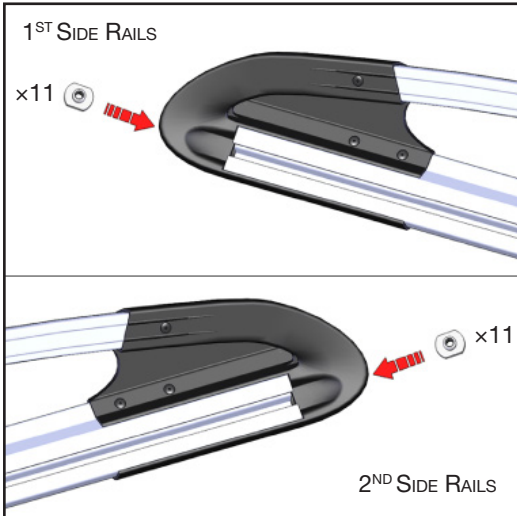
STEP 4



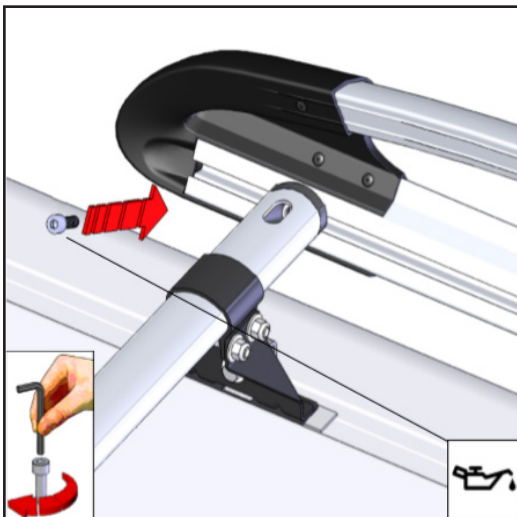
2.1.3 Install 4 bars in the feet.



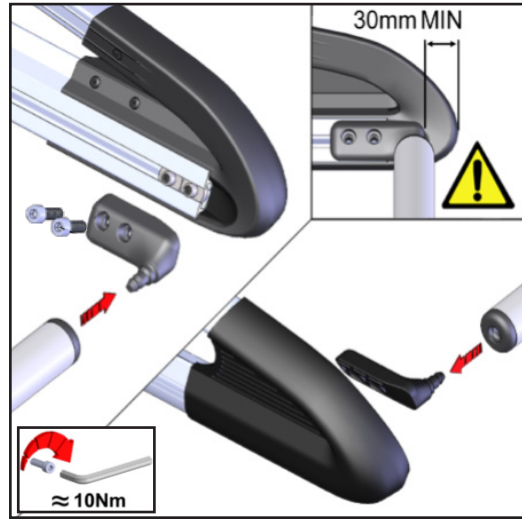
2.1.4 Slide 11pcs. of channel nuts in each side rails.



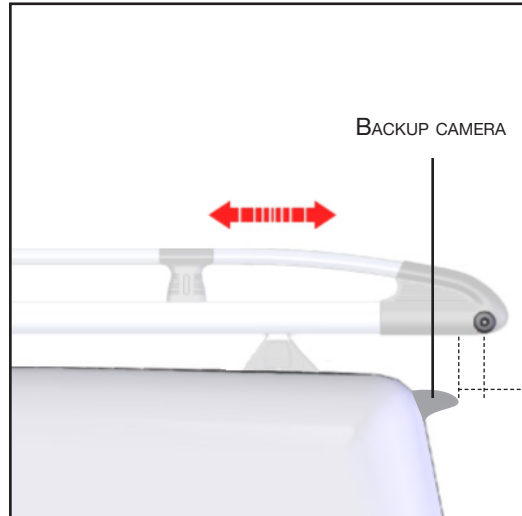
2.1.5 Attach the 2 side rails on both ends of the bar, using the 1ST, 4TH, 6TH & 9TH Channel nuts from the front.



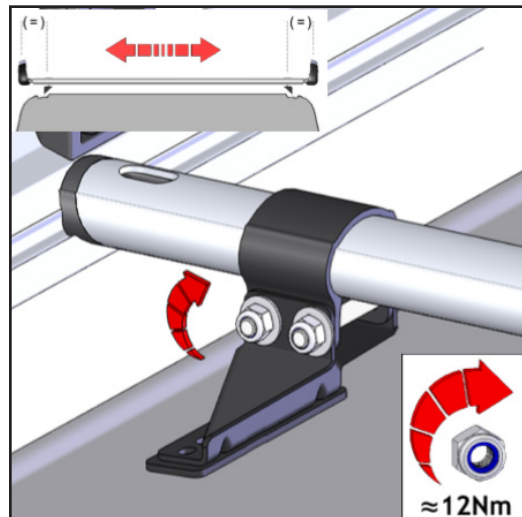
2.1.6 Attach the roller to the side rails using the 2 last channel nuts from the front.



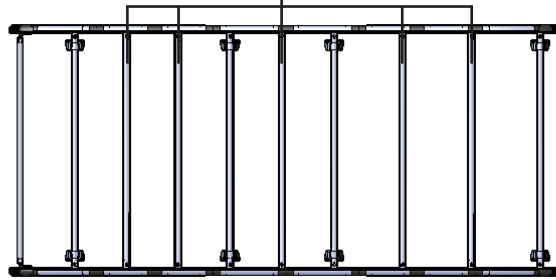
2.1.7 Slide the rack to the appropriate position.



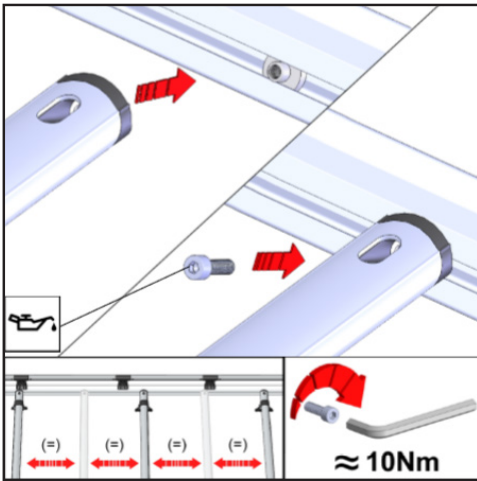
2.1.8 Center the bar on the vehicle.



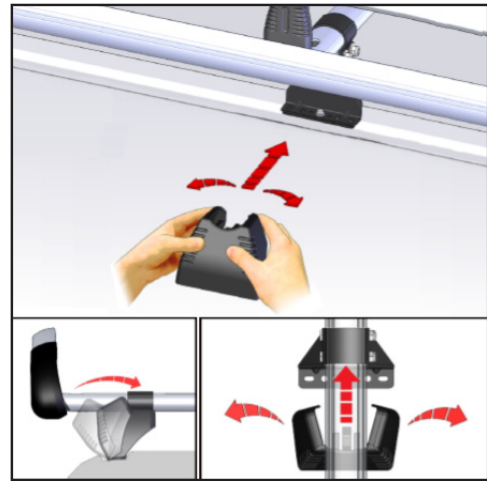
ADD



2.1.9 Attach the 5 bar.

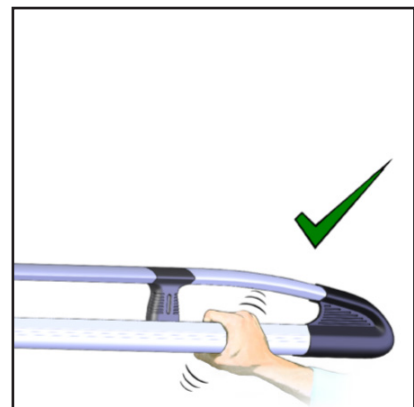
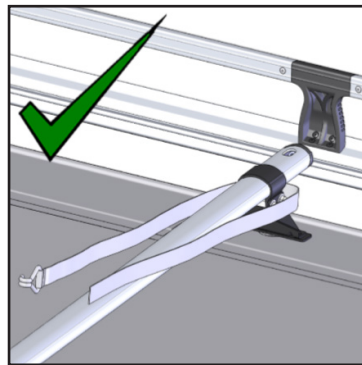
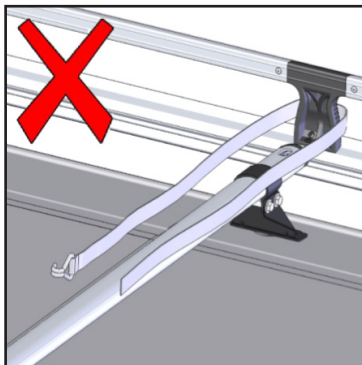
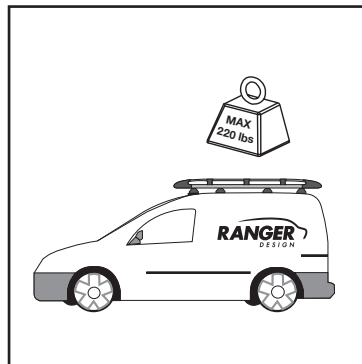
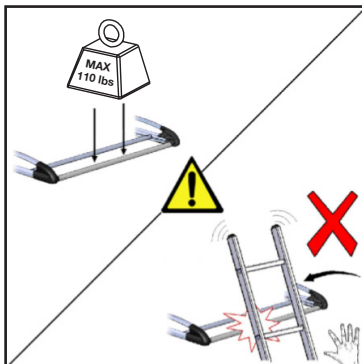


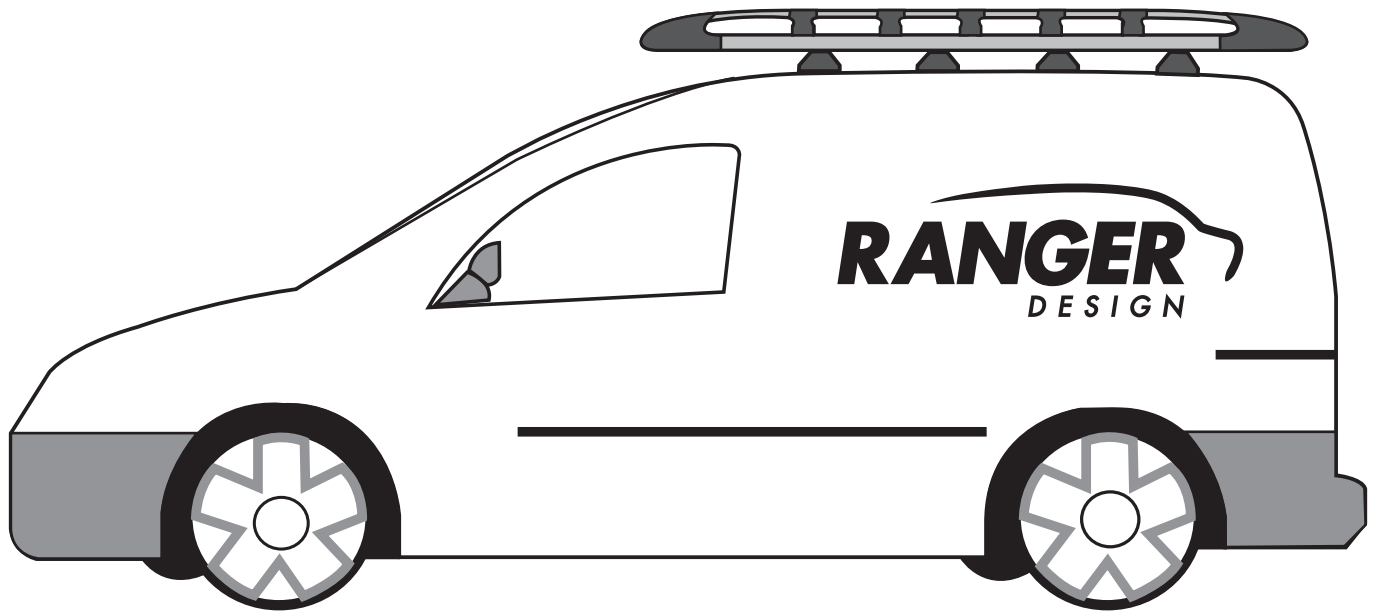
2.1.10 Attach the foot cowl to the foot.



PHASE 3 – TIPS

3.1 SAFETY TIPS





**“You have successfully installed your
1506-PHL Cargo Plus**

Thank you for doing business with us.”

For any feedback or suggestions you may have, please contact: cs@rangerdesign.com

