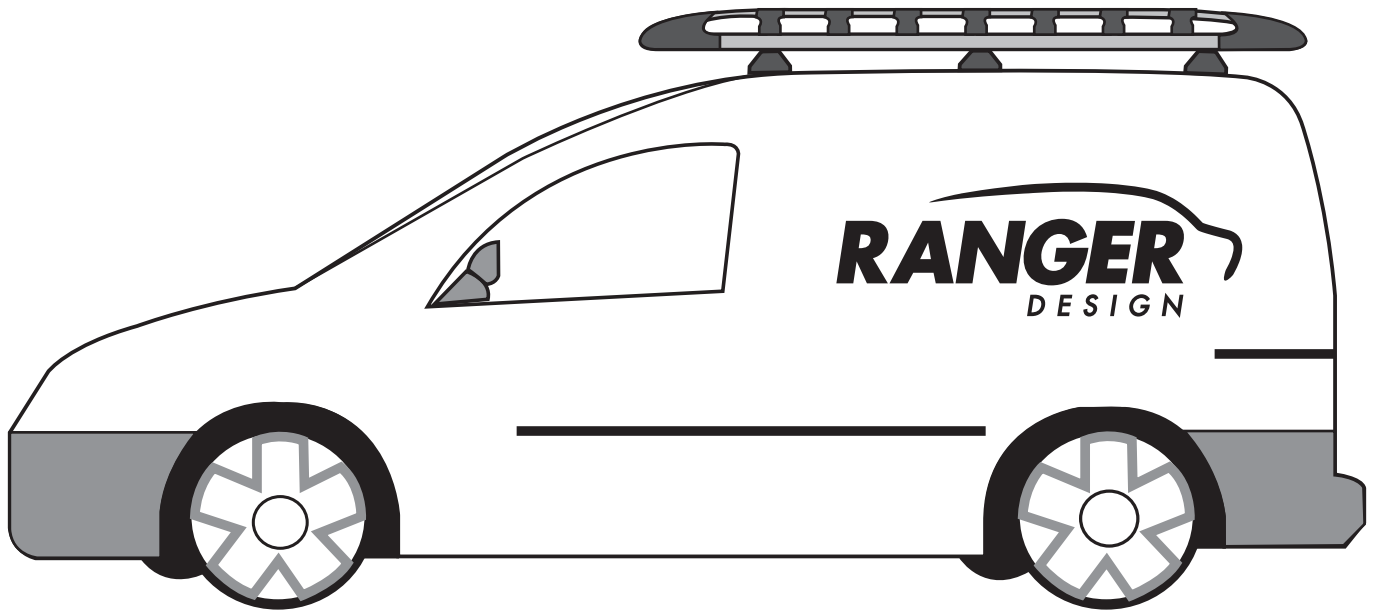


# INSTALLATION GUIDE



**1506-GS Cargo Plus**  
SAVANA RWB

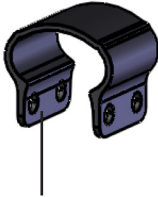


# PHASE 1 – ASSEMBLY

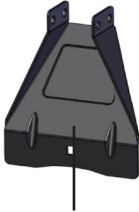
## 1.1 SETUP

1.1.2 Verify all parts are present.

### 15-U4011 BOX



SADDLE EXTRUSION x6



FOOT x6



FOOT CLIP x6



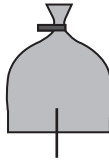
EDGE TRIM x6



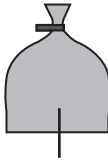
ROLLER SUPPORT "R" x1



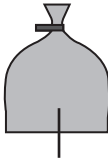
ROLLER SUPPORT "L" x1



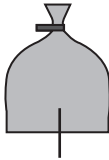
CFK - 1 x1



CFK - 2 x1



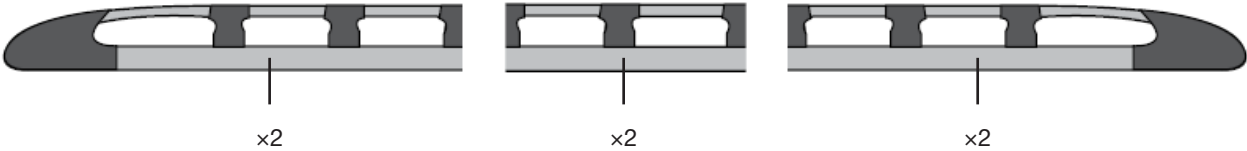
CFK - 3 x1



CFK - 4 x1

### 15-U1003 BOX

SIDE RAILS



x2

x2

x2

### 15-U3002 BOX



BAR x3



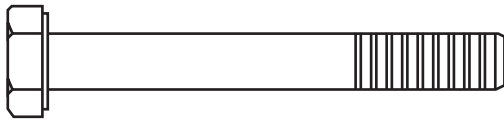
ROLLER x1

### 15-U2002 BOX



BAR x6

# HARDWARE



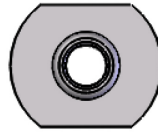
( M8 x 65 ) x12



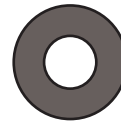
( M8 ) x34



( M8 ) x16



( M8 ) x22



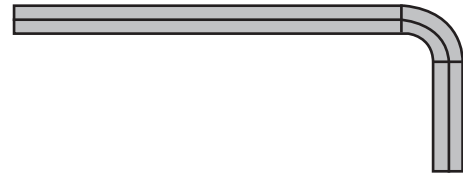
( M8 ) x24



( M8 x 35 ) x6

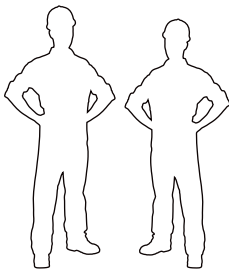


BOLT CUP

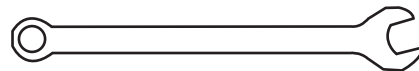


( M8 ) x1

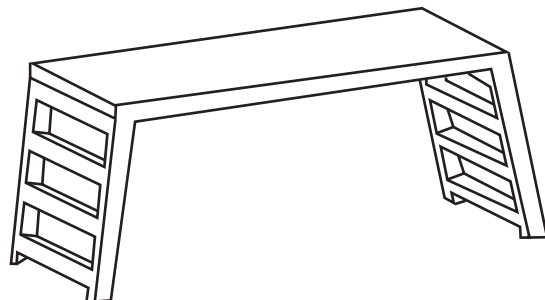
# REQUIRED ITEMS



**2**  
**PERSONS**



13mm x2



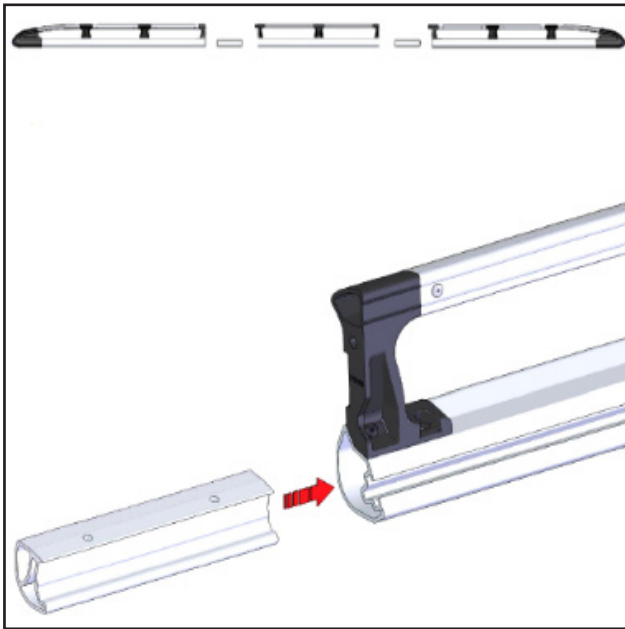
# PHASE 2 – INSTALLATION

## 2.1 INSTALLATION

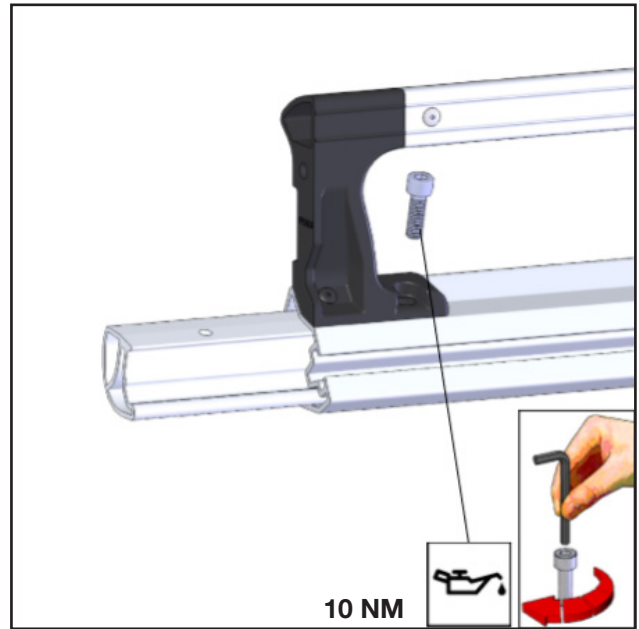
2.1.2 Connect the 3 side rails parts.

# 2x

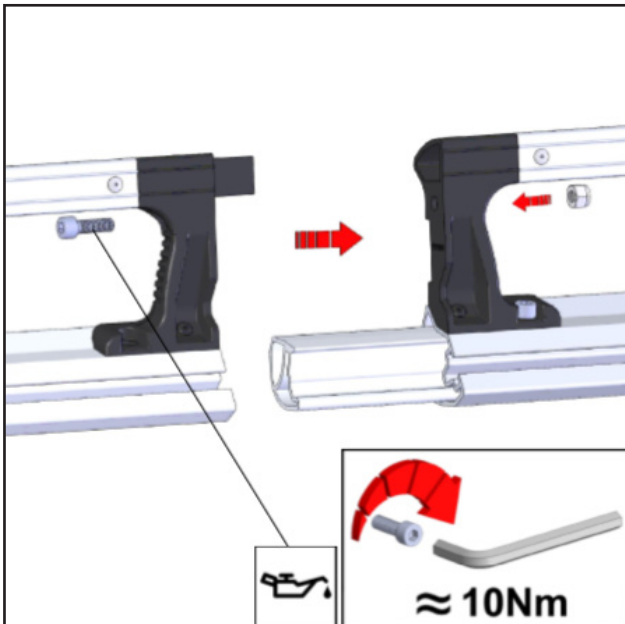
STEP 1



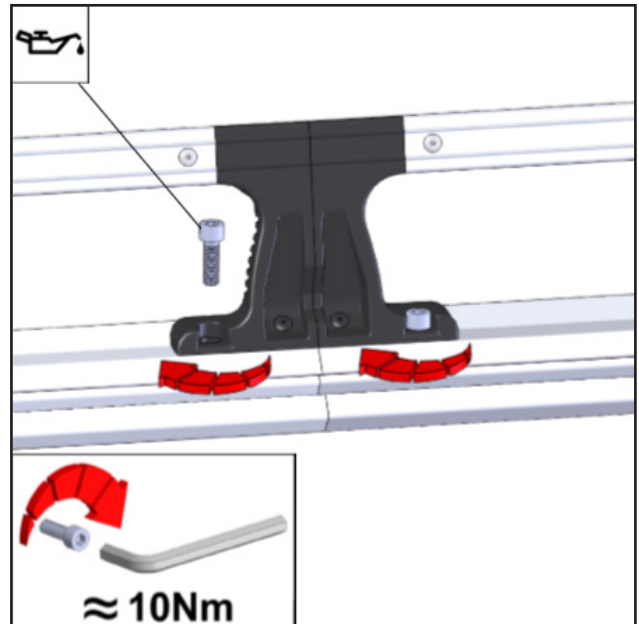
STEP 2

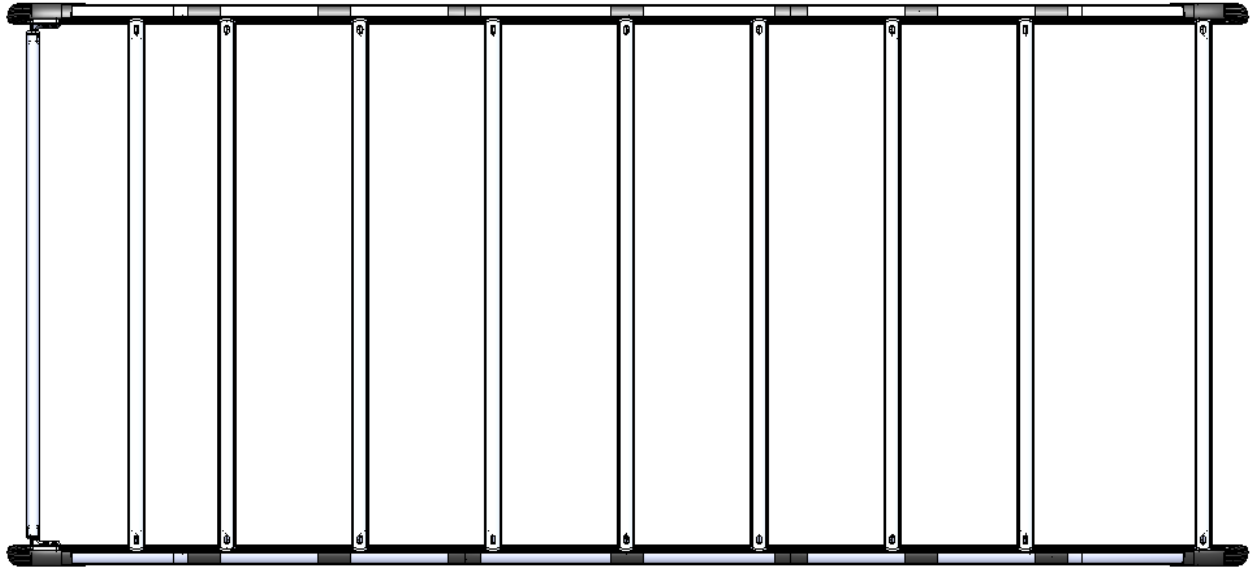


STEP 3

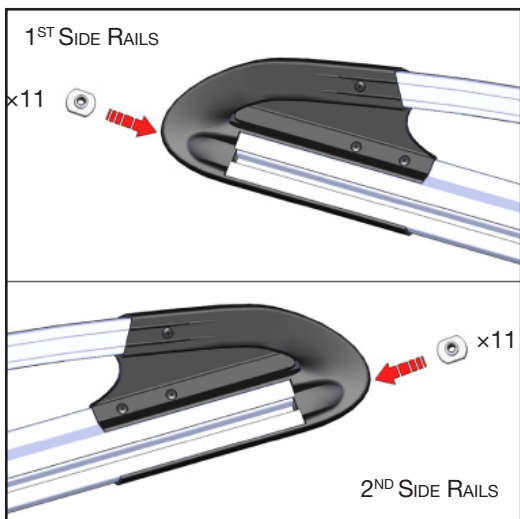


STEP 4

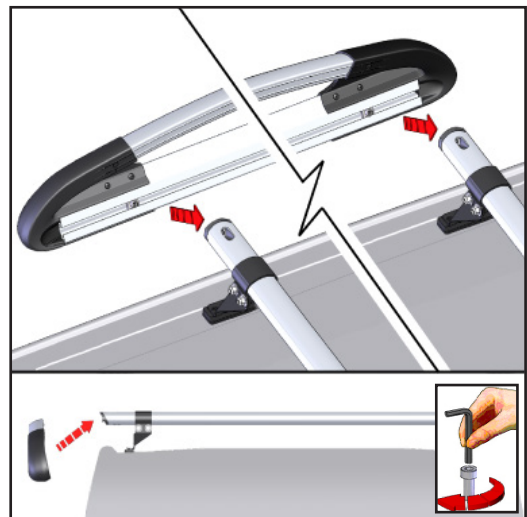


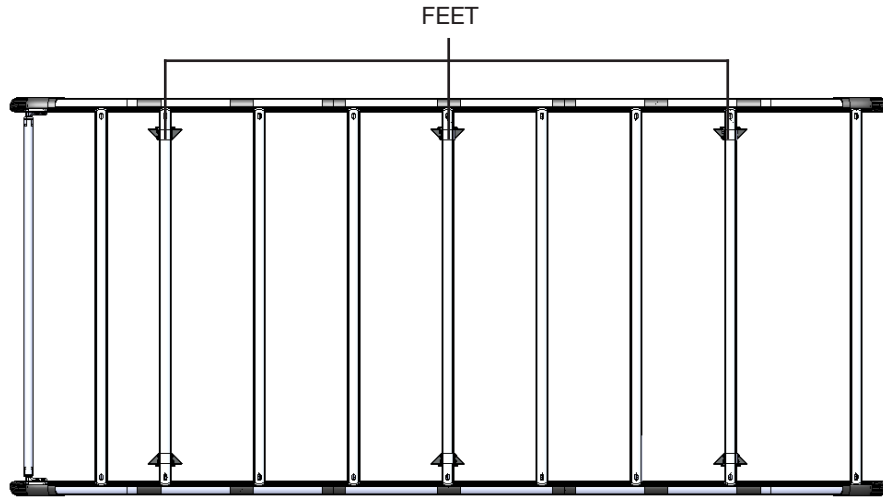


**2.1.1** Slide 11 pcs. of channel nuts in each side rails.

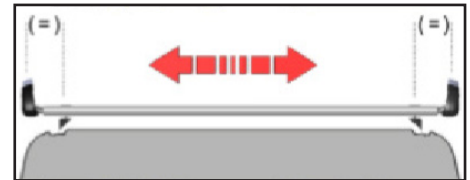
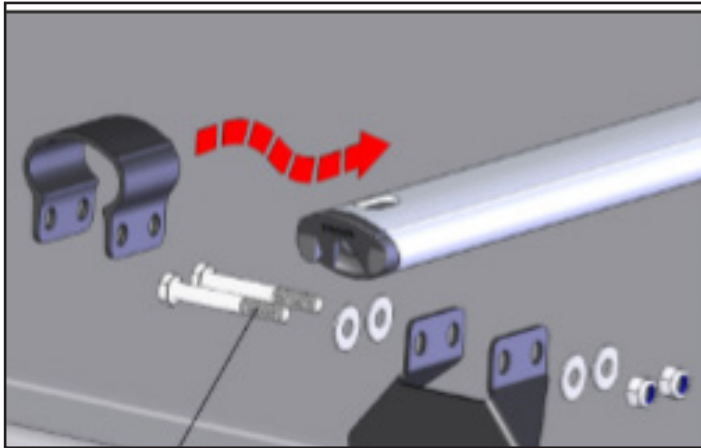


**2.1.2** Attach all bars to the side rear.

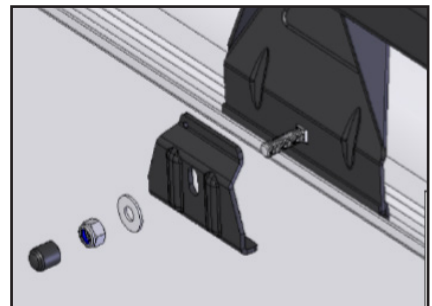
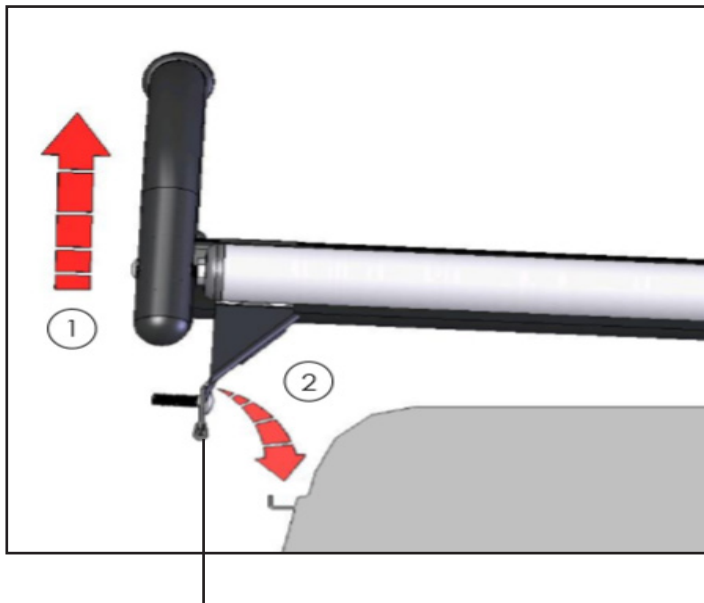




**2.1.3** Attach 6 feet to the bars.



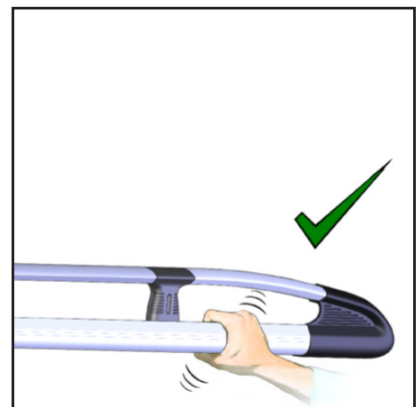
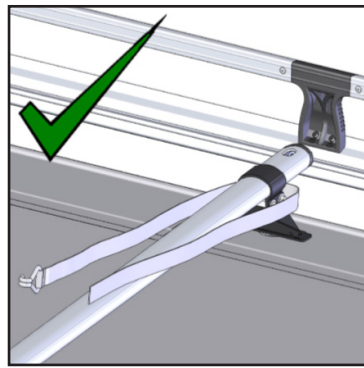
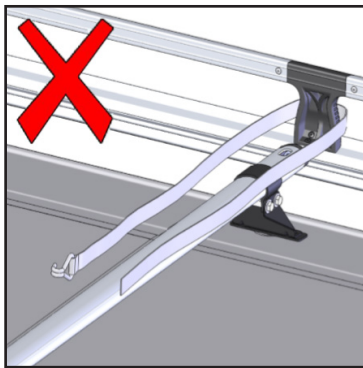
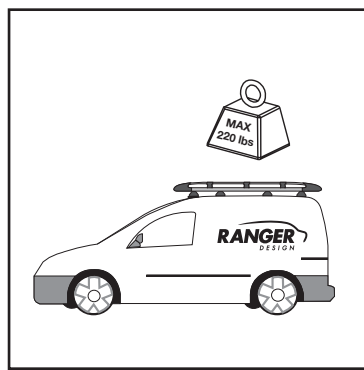
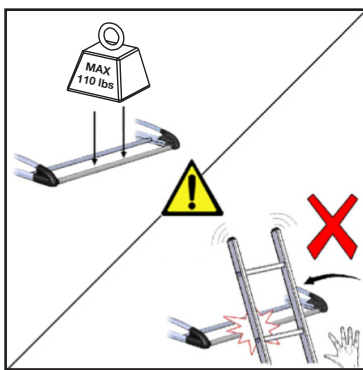
**2.1.4** Lift the cargo + to the roof and attach all the feet to the roof.

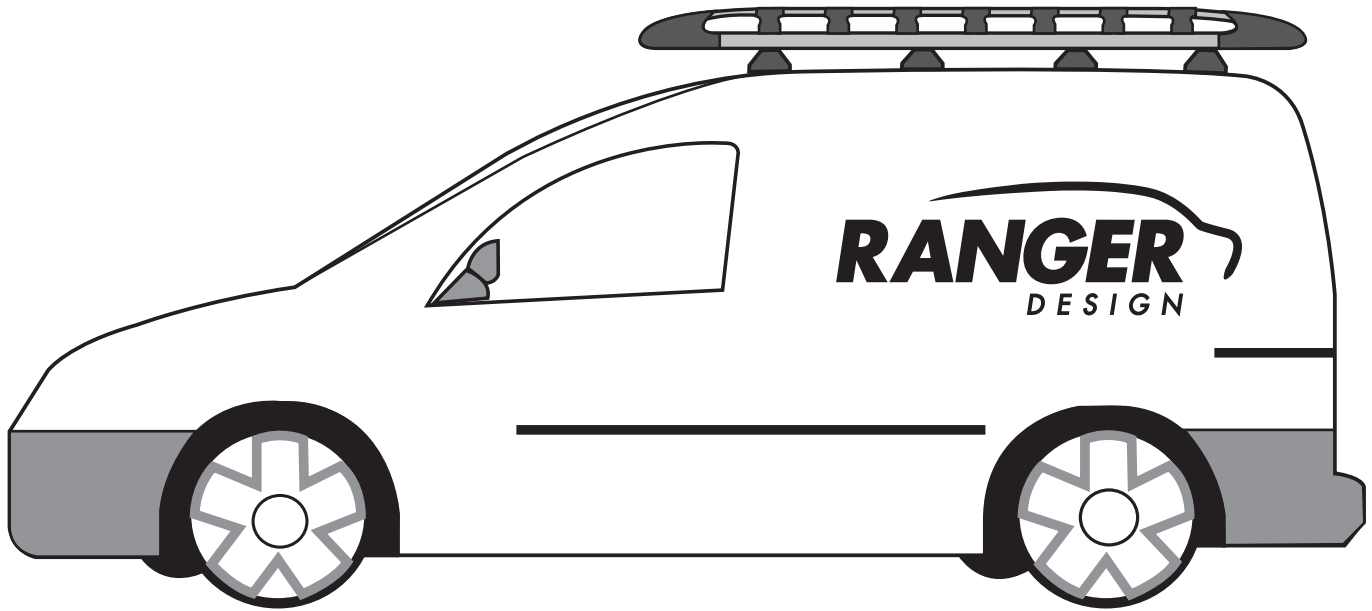


EDGE TRIM x6

# PHASE 3 – TIPS

## 3.1 SAFETY TIPS





**“You have successfully installed your  
1506-GS Cargo Plus**

**Thank you for doing business with us.”**

For any feedback or suggestions you may have, please contact: [cs@rangerdesign.com](mailto:cs@rangerdesign.com)

